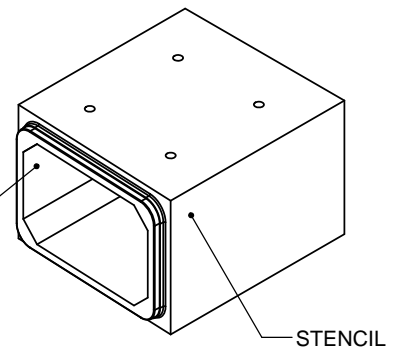
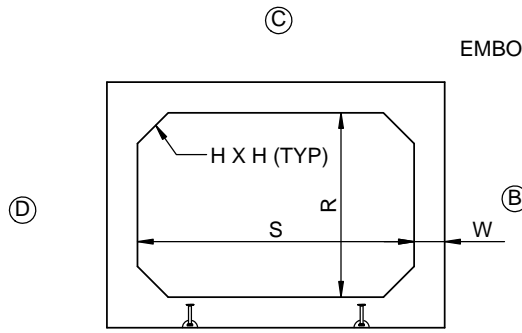


STENCIL	EMBOSS
CCP-GUELPH OPSS1821 (SIZE) RADIUS LEFT (D.E.C) TYPE HSe (DATE OF MFG)	CC OPSS 1821 (D.E.C) (DATE OF MFG)

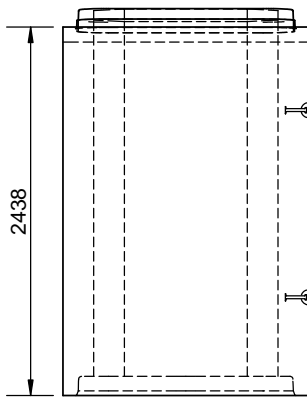


ISOMETRIC VIEW
(AS INSTALLED)

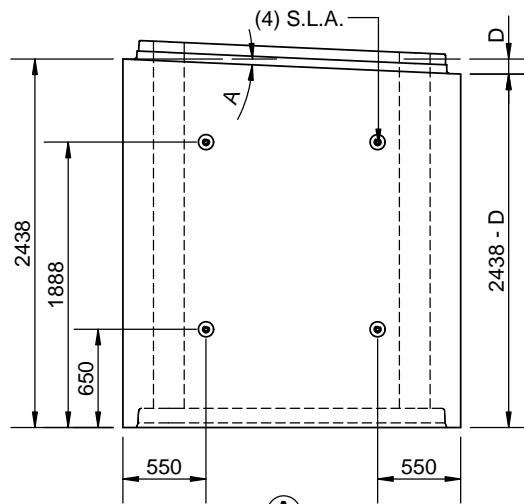
"D" TO BE SPECIFIED



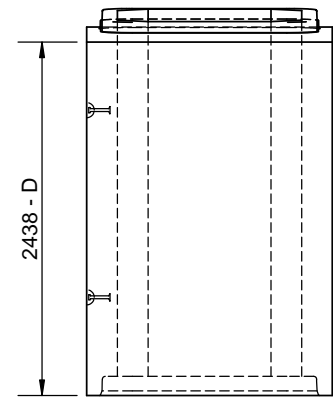
PLAN VIEW



D



A



B

PRODUCT VARIABLES

VARIABLE DIMENSIONS						S.L.A.	MASS (kg)	D.E.C
S	R	W	H	D (MAX)	A (MAX)			
1800	900	200	200	87	2°20'	4T x 5-1/2"	7960	0.6-5.5m
1829	1219	203	203	97	2°30'	4T x 5-1/2"	8953	0.6-5.5m
2438	1219	203	203	116	2°20'	4T x 5-1/2"	10444	0.6-3.6m
2438	1524	203	203	116	2°20'	4T x 5-1/2"	11191	0.6-3.6m
2438	1829	203	203	124	2°30'	4T x 5-1/2"	11938	0.6-3.6m
3048	1524	254	254	120	1°55'	8T x 7-1/8"	16347	0.6-3.6m
3048	1829	254	254	149	2°25'	8T x 7-1/8"	17282	0.6-3.6m
3048	2134	254	254	144	2°20'	8T x 7-1/8"	17750	0.6-3.6m
3048	2438	254	254	144	2°20'	8T x 7-1/8"	19148	0.6-3.6m

ENGINEER STAMP (IF REQUIRED)

ALL DIMENSIONS ARE IN mm
DRAWINGS ARE NOT TO SCALE
ALL VIEWS AS Poured UNLESS SPECIFIED
WWF SHEETS TO ASTM A1064
WWF Fy = 485MPa (Deformed) 450MPa (Smooth)
DROP ANGLE VALIDATED BY HP
*DROP ANGLE NOT VALIDATED BY HP

MIN. CONC STRENGTH 35 MPa
CLEAR COVER = 40 mm ± 5 mm
TOLERANCES TO OPSS 1821
CEMENT TYPE HSe
FOR JOINT DETAIL,
SEE DWG BXXXXX1-JOINT

CON CAST PIPE (CCP) STANDARD DRAWING

STD.	OPSS 1821	NOV 2015	DOC ID	BRXXXX1L
TITLE	RADIUS BOX CULVERT LEFT 2438 LAY LENGTH (DRY CAST)			
DRAWN BY	SW	CHECKED BY	BA	DATE
01/MAR/11	FILE	radius box UNIT - REV1.SLDDRWOF 1		
REV.	DESCRIPTION	ENG.	DATE	PAGE

3			
2			
1	MAX DROP UPDATED FOR 3048X1524	EM	15NOV16
0	INITIAL RELEASE	SW	5MAY16
REV.	DESCRIPTION	ENG.	DATE