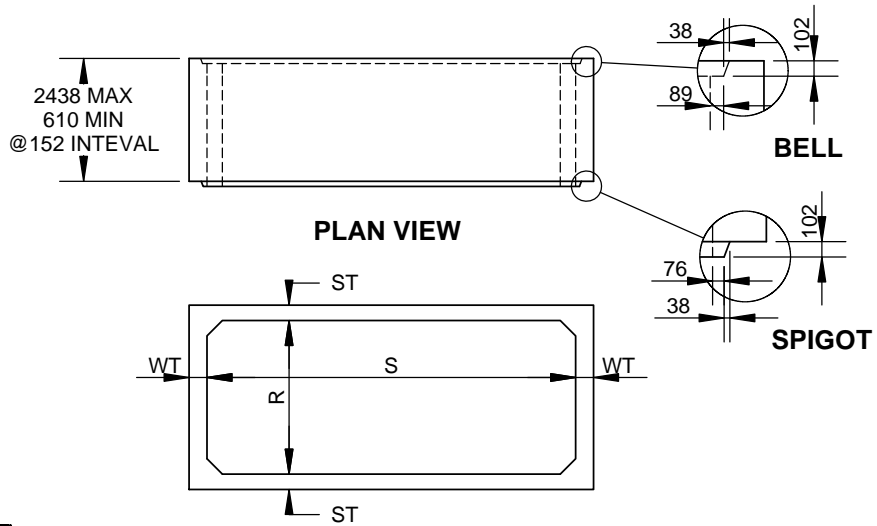


ISOMETRIC VIEW



TYPICAL SECTION

- GENERAL NOTES:**
- (1) CUSTOM SIZE NOT IN THE TABLE SHOWN IS AVAILABLE. S AND R ARE PREFERRED TO HAVE 152 mm (6") INTERVAL. 51 mm (2") INTEVAL IS AVAILABLE UPON REQUEST.
 - (2) WALL (WT) AND SLAB THICKNESS (ST) HAVE INTERVAL OF 52 (2") BETWEEN 152 mm (6") - 610 mm (24")
 - (3) 406 mm (14") HC IS AVAILABLE. OTHER SIZE OF HANUCH IS AVAILABLE UPON REQUEST.
 - (4) WALL AND SLAB THICKNESS IN THE TABLE ARE TYPICAL FOR CHBDC CL625-ONT LOADING WITH EARTH COVER BETWEEN 0 - 3.6m.
 - (5) MASS IS APPROXIMATE BASED ON 2480 kg/m³ DENSITY OF CONCRETE.
 - (6) SHIPPING CAPACITY GOVERNS MAXIMUM SIZE AND LAY LENGTH
 - (7) LIFTING DEVICES ARE DAYTON SWIFT LIFT ANCHOR OR EQUIVALENT
 - (8) LONGER LAY LENGTH (L UPTO 3658) IS AVAILABLE UPON REQUEST
 - (9) WHEN THE HEIGHT (R+2ST) IS LARGER THAN 2540, BOX UNIT WILL BE SHIPPED FLOWER POT AND TO BE ROTATED ON THE JOB SITE.

SPAN (S) = 1219, 1524, 1829, 2438							
S X R					MASS		
					ST	WT	HC
1219 X 1219	203	203	0	2.438	2867	6990	
1524 X 1219	203	203	0	3.438	3174	10914	
1829 X 1524	203	203	305	4.438	4250	18860	
1829 X 1829	203	203	305	4.438	4557	20223	
2438 X 1219	203	203	305	4.438	4557	20223	
2438 X 2134	203	203	305	4.438	5478	24313	
2438 X 2438	254	254	305	4.438	7245	32152	

SPAN (S) = 2743, 3048, 3353, 3648							
S X R					MASS		
					ST	WT	HC
2743 X 1219	254	254	305	2.4384	6093	14857	
2743 X 1524	254	254	305	2.4384	6477	15793	
2743 X 1829	254	254	305	2.4384	6861	16729	
2743 X 2134	254	254	305	2.4384	7245	17666	
3048 X 1219	254	254	305	2.4384	6477	15793	
3048 X 2743	254	254	305	2.4384	8397	20475	
3048 X 3048	254	254	305	2.4384	8781	21411	
3353 X 1219	305	305	305	2.4384	8294	20225	
3353 X 1524	305	305	305	2.4384	8755	21349	
3353 X 1829	305	305	305	2.4384	9216	22472	
3353 X 2134	305	305	305	2.4384	9677	23596	
3353 X 2438	305	305	305	2.4384	10138	24719	
3658 X 1219	305	305	305	2.4384	8755	21349	
3658 X 1524	305	305	305	2.4384	9216	22472	
3658 X 1829	305	305	305	2.4384	9677	23596	
3658 X 2134	305	305	305	2.4384	10138	24719	
3658 X 2438	305	305	305	2.4384	10598	25843	
3658 X 2743	305	305	305	2.4384	11059	26967	
3658 X 3048	305	305	305	2.4384	11520	28090	

SPAN (S) = 3962, 4267, 4877							
S X R					MASS		
					ST	WT	HC
3962 X 1524	305	305	305	2.4384	9677	23596	
3962 X 1829	305	305	305	2.4384	10138	24719	
3962 X 2134	305	305	305	2.4384	10598	25843	
3962 X 2438	305	305	305	2.4384	11059	26967	
3962 X 2743	305	305	305	2.4384	11520	28090	
3962 X 3048	305	305	305	2.4384	11981	29214	
4267 X 1829	305	305	305	2.4384	10598	25843	
4267 X 2134	305	305	305	2.4384	11059	26967	
4267 X 2438	305	305	305	2.4384	11520	28090	
4267 X 2743	305	305	305	2.4384	11981	29214	
4267 X 3048	305	305	305	2.4384	12442	30338	
4877 X 1829	305	305	305	2.4384	11520	28090	
4877 X 2134	305	305	305	2.4384	11981	29214	
4877 X 2438	305	305	305	2.4384	12442	30338	
4877 X 2743	305	305	305	2.4384	12902	31461	
4877 X 3048	305	305	305	2.4384	13363	32585	

SPAN (S) = 5486, 6096, 6401							
S X R					MASS		
					ST	WT	HC
5486 X 1524	305	305	305	2.4384	11981	29214	
5486 X 1829	305	305	305	2.4384	12442	30338	
5486 X 2134	305	305	305	2.4384	12902	31461	
5486 X 2438	305	305	305	2.4384	13363	32585	
5486 X 2743	305	305	305	2.4384	13824	33708	
5486 X 3048	305	305	305	2.4384	14285	34832	
6096 X 1524	305	305	305	2.4384	12902	31461	
6096 X 1829	305	305	305	2.4384	13363	32585	
6096 X 2134	406	406	305	2.1336	18688	39873	
6096 X 2438	406	406	305	1.9812	19302	38242	
6096 X 2743	406	406	305	1.9812	19917	39459	
6096 X 3048	406	406	305	1.8288	20531	37547	
6401 X 1524	406	406	305	2.1336	18074	38562	
6401 X 1829	406	406	305	2.1336	18688	39873	
6401 X 2134	406	406	305	1.9812	19302	38242	
6401 X 2438	406	406	305	1.9812	19917	39459	

ALL DIMENSIONS ARE IN mm UNLESS SPECIFIED TOLERANCES TO CSA A23.4-09
DRAWINGS ARE NOT TO SCALE

CON CAST PIPE (CCP) STANDARD DRAWING

STD: CCP ENG GUIDE B 6.1.3. PART: BA-SIZEGUIDE

TITLE: PRECAST BOX CULVERT SIZE GUIDE

1	INITIAL RELEASE	SW	14JUL14	DRAWN BY	CHECKED BY	DATE	FILE	PAGE
REV.	DESCRIPTION	ENG.	DATE	SW	AP	19/OCT/2011	Box Size Guide.SLDRW	1 OF 1