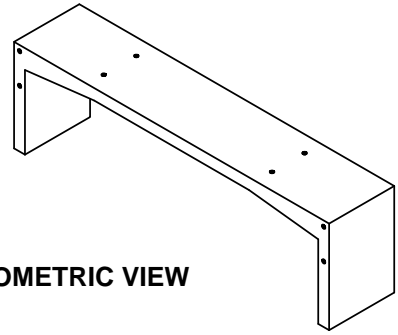
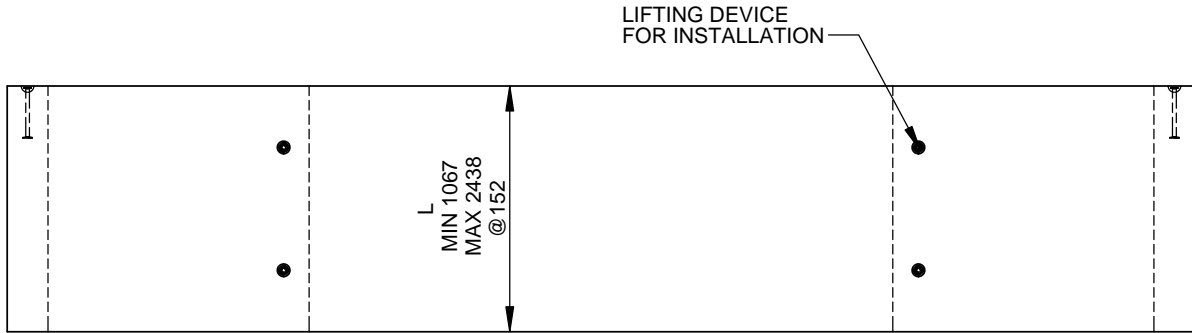


GENERAL NOTES:

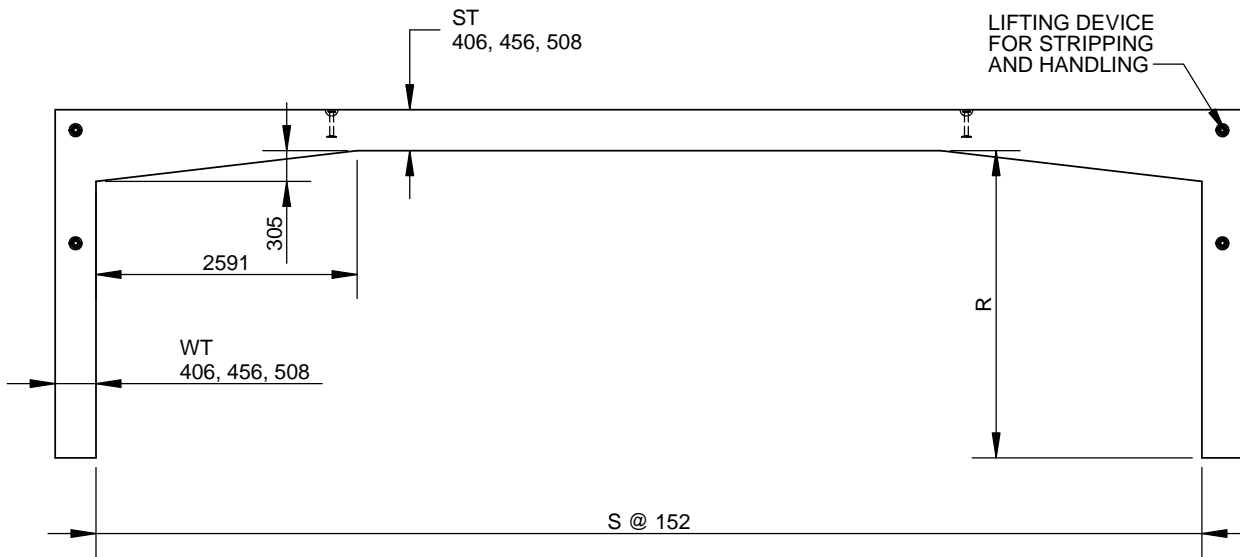
- (1) WALL AND SLAB THICKNESS IN THE TABLE ARE TYPICAL FOR CHBDC CL625-ONT LOADING WITH EARTH COVER BETWEEN 0 - 3.6m.
- (3) MASS IS APPROXIMATE BASED ON 2480 kg/m³ DENSITY OF CONCRETE.
- (4) SHIPPING CAPACITY GOVERNS MAXIMUM SIZE AND LAY LENGTH
- (5) CIP OR PRECAST FOOTING ARE REQUIRED FOR PROPER INSTALLATION. SIZE TO BE DETERMINED BY CONSULTING ENGINEER
- (6) LIFTING DEVICES ARE DAYTON SWIFT LIFT ANCHOR OR EQUIVALENT



ISOMETRIC VIEW



PLAN VIEW



TYPICAL SECTION VIEW

PRODUCT VARIABLES			
WT	ST	S (RANGE)	S (FEET)
406	406	7315 - 10973	24 - 36
456	456	9754 - 12192	32 - 40
508	508	10973 - 13411	36 - 44

ALL DIMENSIONS ARE IN mm UNLESS SPECIFIED
DRAWINGS ARE NOT TO SCALE
FOR EQUIPMENT, SEE DWG: EQ-TS03

TOLERANCES TO CSA A23.4-09

CON CAST PIPE (CCP) STANDARD DRAWING

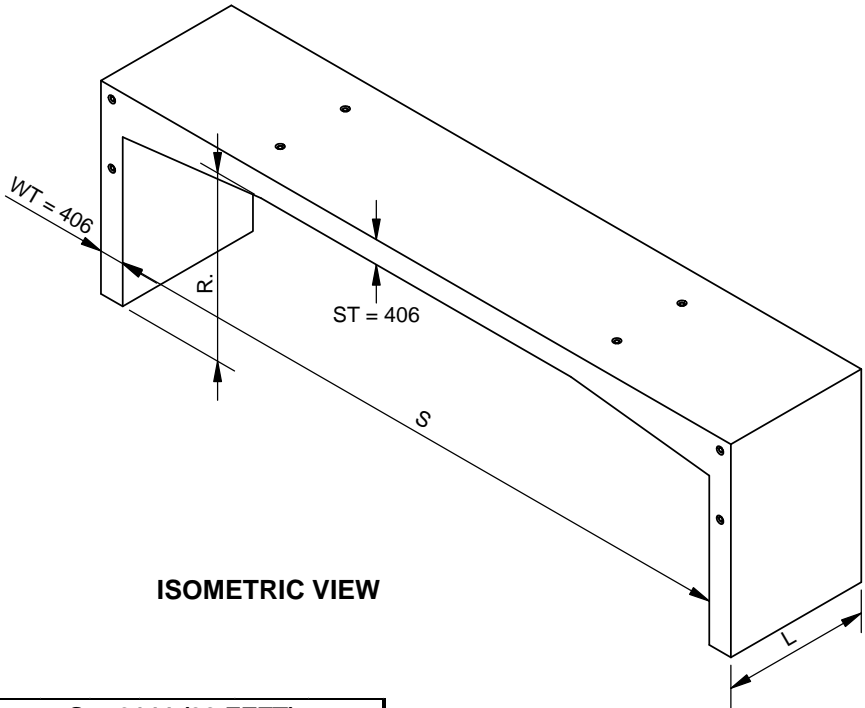
STD. CCP ENG GUIDE B 10.1 PART TS-SIZE03

TITLE
**TRI-SPAN
SIZE GUIDE
LARGE SPAN**

3	UPDATE MIN TRISPAN LENGTH	KE	14/JAN/16
2	UPDATE DIMENSION BASED ON FORMWORK AVAILABILITY	SW	2OCT15
1	INITIAL RELEASE	SW	7MAR14
REV.	DESCRIPTION	ENG.	DATE

DRAWN BY SW	CHECKED BY AP	DATE 19/OCT/2011	FILE Trispan Size Guide.SLDDRW	PAGE 1 OF 4
----------------	------------------	---------------------	-----------------------------------	----------------

S = 7315 (24 FEET)					
R	ST	WT	L (MAX)	MASS	
				kg/m	kg/PC
914	406	406	2.438	11984	29218
1067	406	406	2.438	12291	29966
1219	406	406	2.438	12598	30714
1372	406	406	2.438	12905	31462
1524	406	406	2.438	13212	32211
1676	406	406	2.438	13519	32959
1829	406	406	2.438	13826	33707
1981	406	406	2.438	14133	34455
2134	406	406	2.438	14440	35204
2286	406	406	2.438	14746	35952
2438	406	406	2.438	15053	36700



ISOMETRIC VIEW

S = 7925 (26 FEET)					
R	ST	WT	L (MAX)	MASS	
				kg/m	kg/PC
914	406	406	2.438	12598	30714
1067	406	406	2.438	12905	31462
1219	406	406	2.438	13212	32211
1372	406	406	2.438	13519	32959
1524	406	406	2.438	13826	33707
1676	406	406	2.438	14133	34455
1829	406	406	2.438	14440	35204
1981	406	406	2.438	14746	35952
2134	406	406	2.438	15053	36700
2286	406	406	2.438	15360	37448
2438	406	406	2.438	15667	38196

S = 9144 (30 FEET)					
R	ST	WT	L (MAX)	MASS	
				kg/m	kg/PC
914	406	406	2.438	13826	33707
1067	406	406	2.438	14133	34455
1219	406	406	2.438	14440	35204
1372	406	406	2.438	14746	35952
1524	406	406	2.438	15053	36700
1676	406	406	2.438	15360	37448
1829	406	406	2.438	15667	38196
1981	406	406	2.438	15974	38945
2134	406	406	2.438	16281	39693
2286	406	406	2.438	16588	40441
2438	406	406	2.286	16895	38621

S = 10363 (34 FEET)					
R	ST	WT	L (MAX)	MASS	
				kg/m	kg/PC
914	406	406	2.438	15053	36700
1067	406	406	2.438	15360	37448
1219	406	406	2.438	15667	38196
1372	406	406	2.438	15974	38945
1524	406	406	2.438	16281	39693
1676	406	406	2.438	16588	40441
1829	406	406	2.286	16895	38621
1981	406	406	2.286	17202	39323
2134	406	406	2.286	17508	40024
2286	406	406	2.286	17815	40726
2438	406	406	2.134	18122	38673

S = 8534 (28 FEET)					
R	ST	WT	L (MAX)	MASS	
				kg/m	kg/PC
914	406	406	2.438	13212	32211
1067	406	406	2.438	13519	32959
1219	406	406	2.438	13826	33707
1372	406	406	2.438	14133	34455
1524	406	406	2.438	14440	35204
1676	406	406	2.438	14746	35952
1829	406	406	2.438	15053	36700
1981	406	406	2.438	15360	37448
2134	406	406	2.438	15667	38196
2286	406	406	2.438	15974	38945
2438	406	406	2.286	16281	37218

S = 9754 (32 FEET)					
R	ST	WT	L (MAX)	MASS	
				kg/m	kg/PC
914	406	406	2.438	14440	35204
1067	406	406	2.438	14746	35952
1219	406	406	2.438	15053	36700
1372	406	406	2.438	15360	37448
1524	406	406	2.438	15667	38196
1676	406	406	2.438	15974	38945
1829	406	406	2.438	16281	39693
1981	406	406	2.438	16588	40441
2134	406	406	2.286	16895	38621
2286	406	406	2.286	17202	39323
2438	406	406	2.286	17508	40024

S = 10973 (36 FEET)					
R	ST	WT	L (MAX)	MASS	
				kg/m	kg/PC
914	406	406	2.438	15667	38196
1067	406	406	2.438	15974	38945
1219	406	406	2.438	16281	39693
1372	406	406	2.438	16588	40441
1524	406	406	2.286	16895	38621
1676	406	406	2.286	17202	39323
1829	406	406	2.286	17508	40024
1981	406	406	2.286	17815	40726
2134	406	406	2.134	18122	38673
2286	406	406	2.134	18429	39328
2438	406	406	2.134	18736	39983

ALL DIMENSIONS ARE IN mm UNLESS SPECIFIED
DRAWINGS ARE NOT TO SCALE
FOR EQUIPMENT, SEE DWG: EQ-TS03

TOLERANCES TO CSA A23.4-09

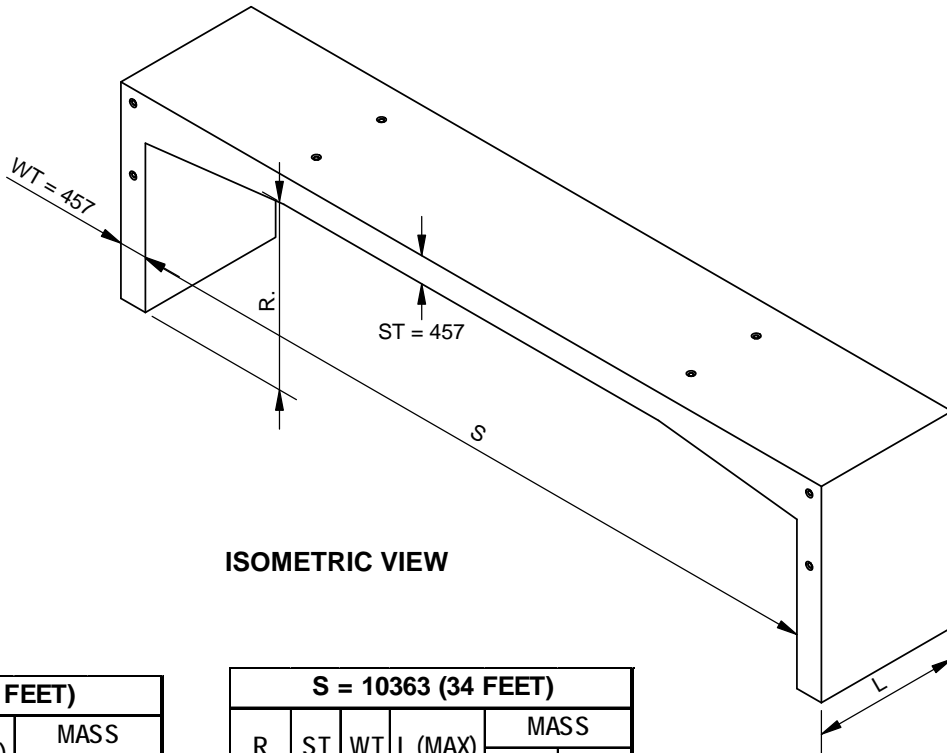
CON CAST PIPE (CCP) STANDARD DRAWING

STD: CCP ENG GUIDE B 10.1 PART: TS-SIZE03

TITLE: TRI-SPAN
SIZE GUIDE
LARGE SPAN
WALL = 406mm SLAB = 406mm

3	UPDATE MIN TRISPAN LENGTH	KE	14/JAN/16
2	UPDATE DIMENSION BASED ON FORMWORK AVAILABILITY	SW	20OCT15
1	INITIAL RELEASE	SW	7MAR14
REV.	DESCRIPTION	ENG.	DATE

DRAWN BY	CHECKED BY	DATE	FILE	PAGE
SW	AP	19/OCT/2011	Trispan Size Guide.SLDDRW	2 OF 4



ISOMETRIC VIEW

S = 9754 (32 FEET)					
R	ST	WT	L (MAX)	MASS	
				kg/m	kg/PC
914	457	457	2.438	16123	39307
1067	457	457	2.438	16468	40149
1219	457	457	2.438	16814	40992
1372	457	457	2.286	17159	39226
1524	457	457	2.286	17505	40015
1676	457	457	2.286	17850	40805
1829	457	457	2.134	18195	38829
1981	457	457	2.134	18541	39566
2134	457	457	2.134	18886	40303
2286	457	457	2.134	19232	41041
2438	457	457	1.981	19577	38782

S = 10363 (34 FEET)					
R	ST	WT	L (MAX)	MASS	
				kg/m	kg/PC
914	457	457	2.438	16814	40992
1067	457	457	2.286	17159	39226
1219	457	457	2.286	17505	40015
1372	457	457	2.286	17850	40805
1524	457	457	2.134	18195	38829
1676	457	457	2.134	18541	39566
1829	457	457	2.134	18886	40303
1981	457	457	2.134	19232	41041
2134	457	457	1.981	19577	38782
2286	457	457	1.981	19923	39467
2438	457	457	1.981	20268	40151

S = 10973 (36 FEET)					
R	ST	WT	L (MAX)	MASS	
				kg/m	kg/PC
914	457	457	2.286	17505	40015
1067	457	457	2.286	17850	40805
1219	457	457	2.134	18195	38829
1372	457	457	2.134	18541	39566
1524	457	457	2.134	18886	40303
1676	457	457	1.981	19232	38098
1829	457	457	1.981	19577	38782
1981	457	457	1.981	19923	39467
2134	457	457	1.981	20268	40151
2286	457	457	1.981	20614	40835
2438	457	457	1.829	20959	38334

S = 11582 (38 FEET)					
R	ST	WT	L (MAX)	MASS	
				kg/m	kg/PC
914	457	457	2.134	18195	38829
1067	457	457	2.134	18541	39566
1219	457	457	2.134	18886	40303
1372	457	457	1.981	19232	38098
1524	457	457	1.981	19577	38782
1676	457	457	1.981	19923	39467
1829	457	457	1.981	20268	40151
1981	457	457	1.981	20614	40835
2134	457	457	1.829	20959	38334
2286	457	457	1.829	21304	38966
2438	457	457	1.829	21650	39598

S = 12192 (40 FEET)					
R	ST	WT	L (MAX)	MASS	
				kg/m	kg/PC
914	457	457	2.134	18886	40303
1067	457	457	1.981	19232	38098
1219	457	457	1.981	19577	38782
1372	457	457	1.981	19923	39467
1524	457	457	1.981	20268	40151
1676	457	457	1.981	20614	40835
1829	457	457	1.829	20959	38334
1981	457	457	1.829	21304	38966
2134	457	457	1.829	21650	39598
2286	457	457	1.829	21995	40230
2438	457	457	1.829	22341	40861

ALL DIMENSIONS ARE IN mm UNLESS SPECIFIED
DRAWINGS ARE NOT TO SCALE
FOR EQUIPMENT, SEE DWG: EQ-TS04

TOLERANCES TO CSA A23.4-09

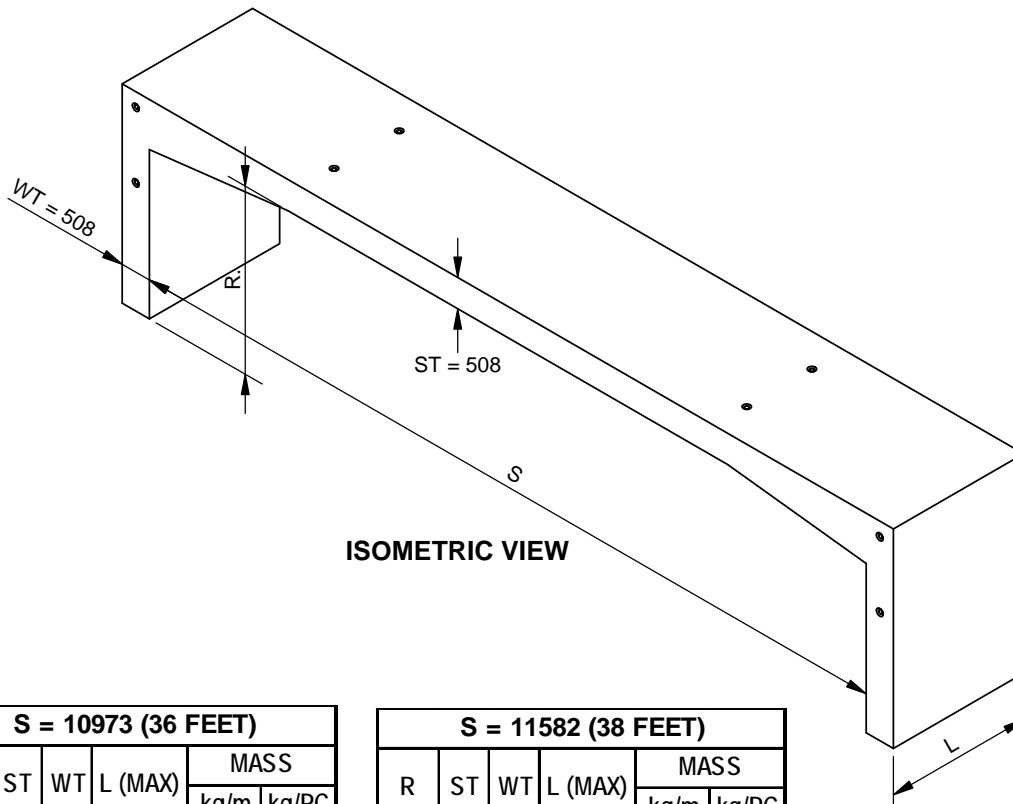
CON CAST PIPE (CCP) STANDARD DRAWING

STD: CCP ENG GUIDE B 10.1 PART TS-SIZE03

TITLE
TRI-SPAN
SIZE GUIDE
LARGE SPAN
WALL = 457mm SLAB = 457mm

3	UPDATE MIN TRISPAN LENGTH	KE	14/JAN/16
2	UPDATE DIMENSION BASED ON FORMWORK AVAILABILITY	SW	20OCT15
1	INITIAL RELEASE	SW	7MAR14
REV.	DESCRIPTION	ENG.	DATE

DRAWN BY	CHECKED BY	DATE	FILE	PAGE
SW	AP	19/OCT/2011	Trispan Size Guide.SLDDRW	3 OF 4



S = 10973 (36 FEET)					
R	ST	WT	L (MAX)	MASS	
				kg/m	kg/PC
914	508	508	1.981	19368	38368
1067	508	508	1.981	19752	39128
1219	508	508	1.981	20136	39889
1372	508	508	1.829	20520	37531
1524	508	508	1.829	20904	38233
1676	508	508	1.829	21288	38935
1829	508	508	1.829	21672	39638
1981	508	508	1.829	22056	40340
2134	508	508	1.676	22440	37609
2286	508	508	1.676	22824	38253
2438	508	508	1.676	23208	38896

S = 11582 (38 FEET)					
R	ST	WT	L (MAX)	MASS	
				kg/m	kg/PC
914	508	508	1.981	20136	39889
1067	508	508	1.981	20520	40650
1219	508	508	1.829	20904	38233
1372	508	508	1.829	21288	38935
1524	508	508	1.829	21672	39638
1676	508	508	1.829	22056	40340
1829	508	508	1.676	22440	37609
1981	508	508	1.676	22824	38253
2134	508	508	1.676	23208	38896
2286	508	508	1.676	23592	39540
2438	508	508	1.524	23976	36539

S = 12192 (40 FEET)					
R	ST	WT	L (MAX)	MASS	
				kg/m	kg/PC
914	508	508	1.829	20904	38233
1067	508	508	1.829	21288	38935
1219	508	508	1.829	21672	39638
1372	508	508	1.829	22056	40340
1524	508	508	1.676	22440	37609
1676	508	508	1.676	22824	38253
1829	508	508	1.676	23208	38896
1981	508	508	1.676	23592	39540
2134	508	508	1.676	23976	40183
2286	508	508	1.524	24360	37124
2438	508	508	1.524	24744	37710

S = 12802 (42 FEET)					
R	ST	WT	L (MAX)	MASS	
				kg/m	kg/PC
914	508	508	1.829	21672	39638
1067	508	508	1.829	22056	40340
1219	508	508	1.676	22440	37609
1372	508	508	1.676	22824	38253
1524	508	508	1.676	23208	38896
1676	508	508	1.676	23592	39540
1829	508	508	1.676	23976	40183
1981	508	508	1.524	24360	37124
2134	508	508	1.524	24744	37710
2286	508	508	1.524	25128	38295
2438	508	508	1.524	25512	38880

S = 13411 (44 FEET)					
R	ST	WT	L (MAX)	MASS	
				kg/m	kg/PC
914	508	508	1.829	22440	41042
1067	508	508	1.676	22824	38253
1219	508	508	1.676	23208	38896
1372	508	508	1.676	23592	39540
1524	508	508	1.676	23976	40183
1676	508	508	1.676	24360	40827
1829	508	508	1.524	24744	37710
1981	508	508	1.524	25128	38295
2134	508	508	1.524	25512	38880
2286	508	508	1.524	25896	39465
2438	508	508	1.524	26280	40050

ALL DIMENSIONS ARE IN mm UNLESS SPECIFIED
 DRAWINGS ARE NOT TO SCALE
 FOR EQUIPMENT, SEE DWG: EQ-TS05

TOLERANCES TO CSA A23.4-09

CON CAST PIPE (CCP) STANDARD DRAWING

STD. CCP	ENG GUIDE B 10.1	PART TS-SIZE03
----------	------------------	----------------

TITLE
 TRI-SPAN
 SIZE GUIDE
 LARGE SPAN
 WALL = 508mm SLAB = 508mm

3	UPDATE MIN TRISPAN LENGTH	KE	14/JAN/16
2	UPDATE DIMENSION BASED ON FORMWORK AVAILABILITY	SW	20OCT15
1	INITIAL RELEASE	SW	7MAR14
REV.	DESCRIPTION	ENG.	DATE

DRAWN BY SW	CHECKED BY AP	DATE 19/OCT/2011	FILE Trispan Size Guide.SLDDRW	PAGE 4 OF 4
-------------	---------------	------------------	--------------------------------	-------------