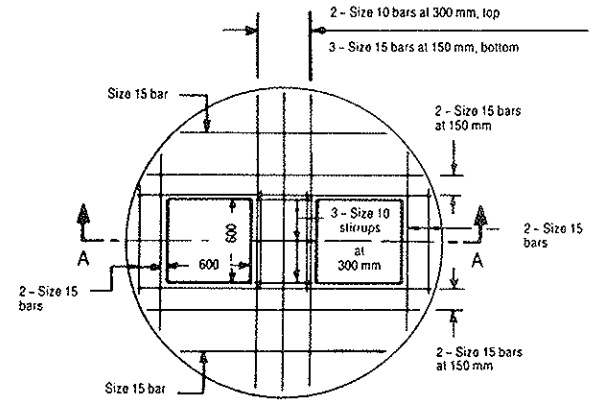
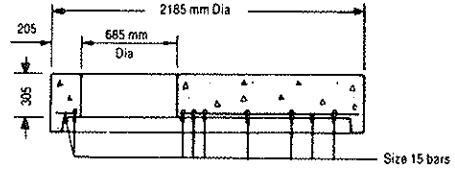
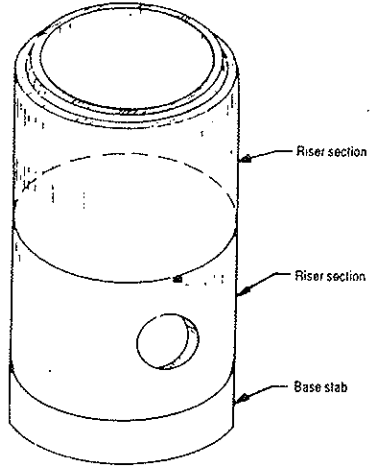


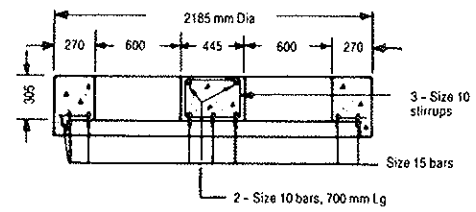
PLAN



PLAN



SECTION A-A
FLAT CAP



SECTION A-A
TWIN INLET FLAT CAP

- NOTES:
- A All reinforcing steel shall have 25 mm min cover.
 - B This standard to be used in conjunction with OPSD-701.05
 - C All dimensions are in millimetres



CONCAST

R.R. #3, Guelph, Ontario N1H 6H9
Tel: 1-800-668-PIPE (7473)

CON CAST PIPE

No. 703.02

**1800 mm Dia.
PRECAST CONCRETE SINGLE
AND TWIN INLET FLAT CAP**